

MAXI 100 C250 pedestrian

PRODUCT DATA

Article number	61133000
Loading class	C 250
Nominal width	100 mm
Construction length	1000 mm
Construction height	160 mm
Type of product	Typ M
Type of element	Basiselement
Weight	ca. 48 kg
Inlet cross-section	344 cm ² /m
Pieces per pallet	24 Stk.



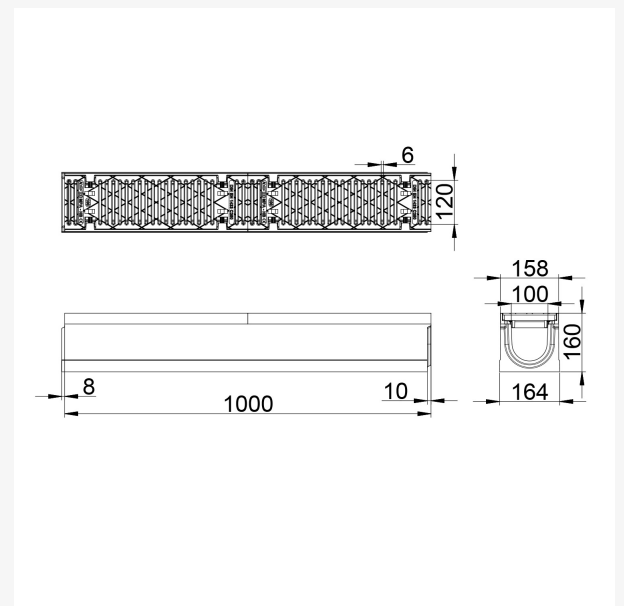
DETAILED INFORMATION

CHANNEL BODY

- pressure-resistant concrete C35/45
- with ductile iron edge protection
- connecting profiles for precise fit

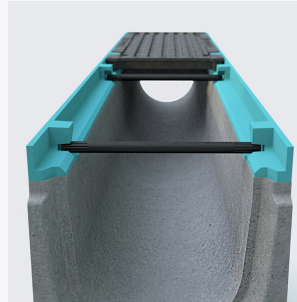
GRATING

- Cross-slot grating, longitudinal push protection, made of cast iron, suitable for pedestrian areas

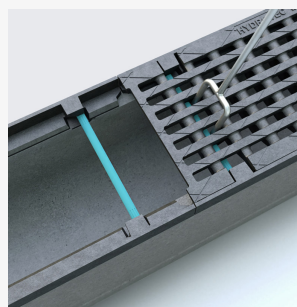


MAXI 100 C250 pedestrian

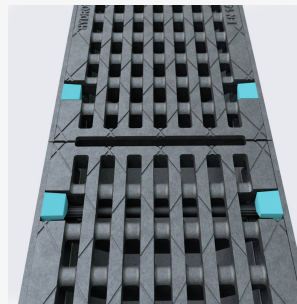
DETAILED INFORMATION



Edge protection



Screwless locking system



Longitudinal restraints



Cast iron Gratings